

Dynamics of coupled two rings of chaotic circuits

Katsuki Nakashima, Kazuki Ueta, Yoko Uwate and Yoshifumi Nishio
Dept. of Electrical and Electronic Engineering, Tokushima University,
2-1 Minami-Josanjima, Tokushima, 770-8506, Japan
Email: {nakashima, kazuki, uwate, nishio}@ee.tokushima-u.ac.jp

SUMMARY

Recently, topology of complex networks is studied for influence on the system from various viewpoints. In this study, we investigate the synchronization phenomena of coupled two rings when we use a chaotic circuit shown in Fig. 1. We couple three chaotic circuits on the ring structure and we propose a system model that the two rings are coupled via a resistor as shown in Fig. 2. We observe the synchronization phenomena when we focus on the symmetry in the system model.

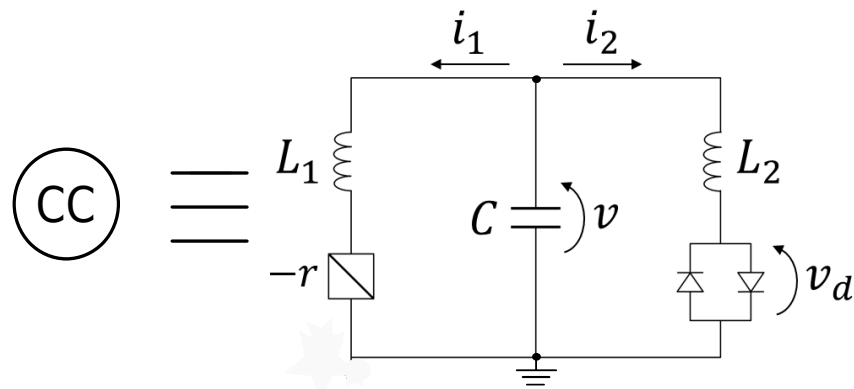


Fig. 1. Chaotic circuit.

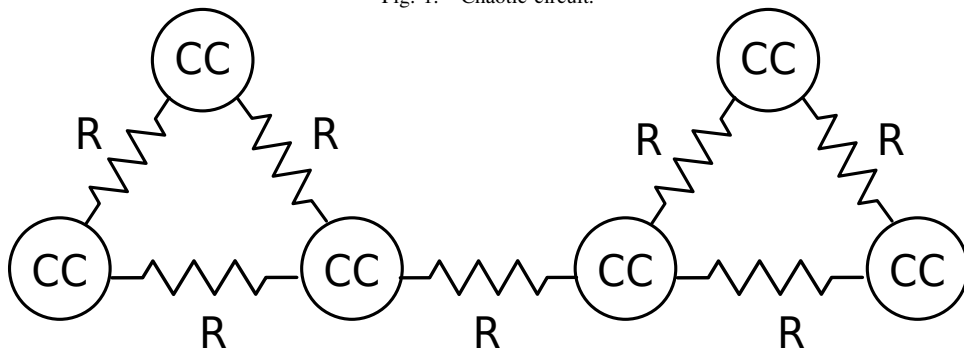


Fig. 2. Coupled two rings.